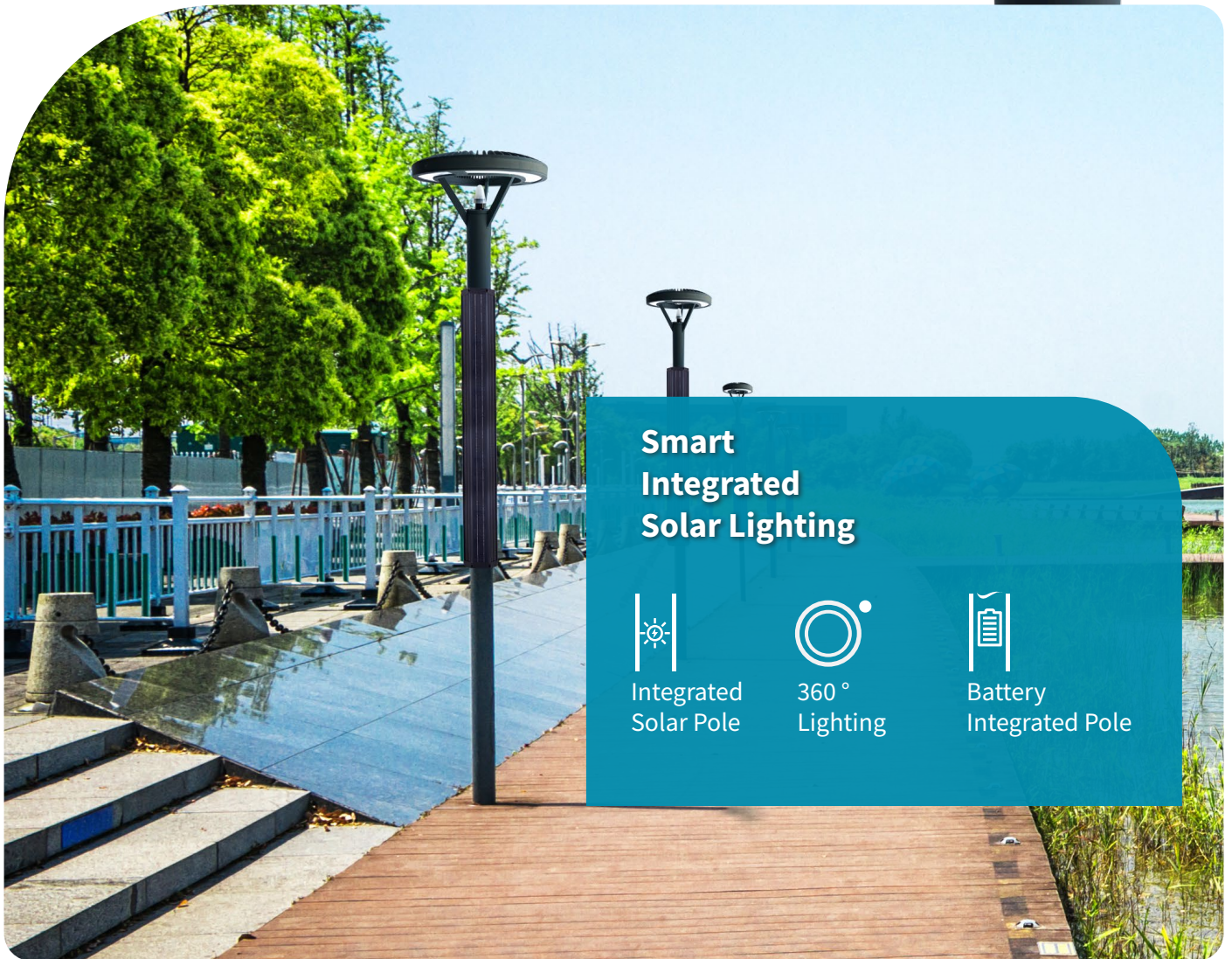




(A division of Rise Up Technologies Inc)

Solar 360° Landscape light

20l 30 | 40 Watts



Smart Integrated Solar Lighting



Integrated
Solar Pole



360°
Lighting



Battery
Integrated Pole

(A division of Rise Up Technologies Inc)

Solar 360 Landscape Light is our answer to the professional lighting in challenging landscaping project requirements. 360 Solar uses next generation innovative technology built into modern and clean urban pole top design

The luminaire offers 360-degree light distribution with increased efficiency and control for even area lighting in garden, parks and landscape applications. Structured, partially frosted interior luminaire optics provides beautiful and effective light transmission and especially high visual comfort. Solar 360 has advanced, light control functions for dimming, motion detection and sensing also works dusk dawn automated working

Solar 360 is powered with integrated solar modules for the best design and performance, however Solar-360, can also be used for retrofit applications for existing solar poles with traditional solar panels

Key Features

Light Output

- Up to 5200 lumens light output.
- 20 watts, 30 watts and 40 watts variance.
- High efficacy of 150 lumen per watt.
- Lumiled power source with LM-80 - 50,000 hours.
- IP65 aluminum die-cast casing and certified IK08.
- Vandal proof build.

Smart MPPT Solar Controller

- Customized working mode for dimming and working hours.
- Advanced metering and remote control options.
- Easy setting up functions in remote control – optional.

Lithium Battery Bank

- Lithium battery bank with more than 6000 cycles
- Energy saving mode with automatic dusk dawn operation.
- Maximum capacity of 635 Wh.

Solar Panel

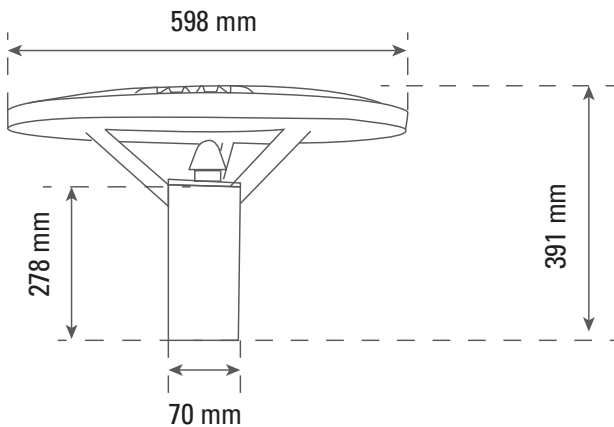
High efficiency design; 20% efficiency solar module make the system flexible for any geographical conditions for the scalability of the panels to meet low irradiance project sites



Product Specifications

Model No	KGES-20	KGES-30	KGES-40
Fixture IP	IP65		
Material	Aluminium Die Casting		
LED	Philips Lumileds SMD248 3030pcs		
CCT Range	3000K / 4000K / 5000K / 6000K		
Lumens	150lm/W		
Rated Power	20W	30W	40W
Standard Battery	432Wh		
Max. Extended Battery Capacity	635Wh		
Charge Time	5 Hours		
Discharge Time	>24 Hours		
Control System	Programmable MPPT Controller/PWM/Energy saving		
Working Temp	-20 °C ~ 65 °C		
Control Method	Automatic dusk to dawn / Time Control / Manual ON-OFF		
Lighting Modes	100% Continuous lighting Energy saving / Customized modes.		
Certificates	CE, ROHS, FCC, IP65, IK08, LMW80		

Product Dimensions



(A division of Rise Up Technologies Inc)

**Address: 3115 Fry Rd., Suite #503
Katy, TX 77449
Phone: +1 (346) 295 8900
Email: sales@riseuptec.com
Web: www.riseuptec.com**

